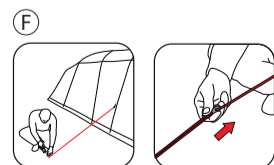
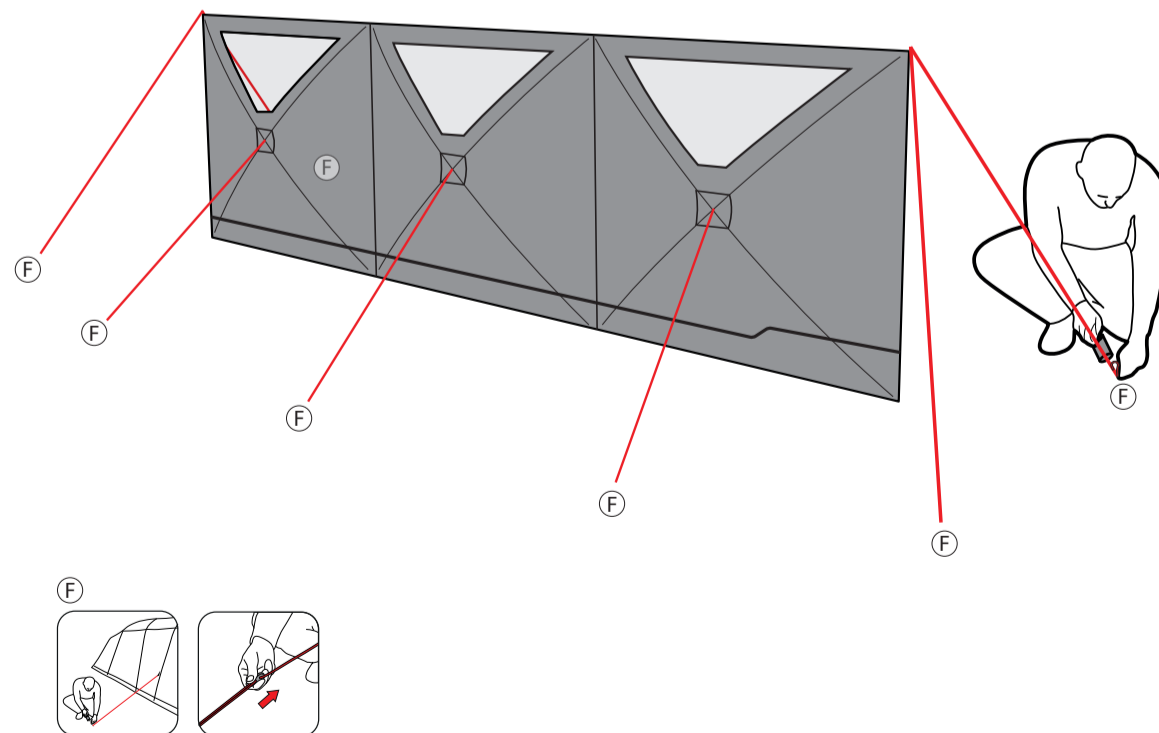
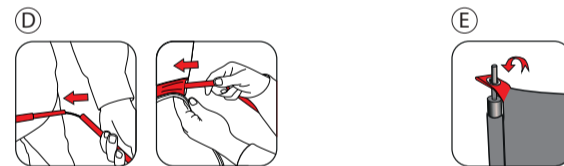
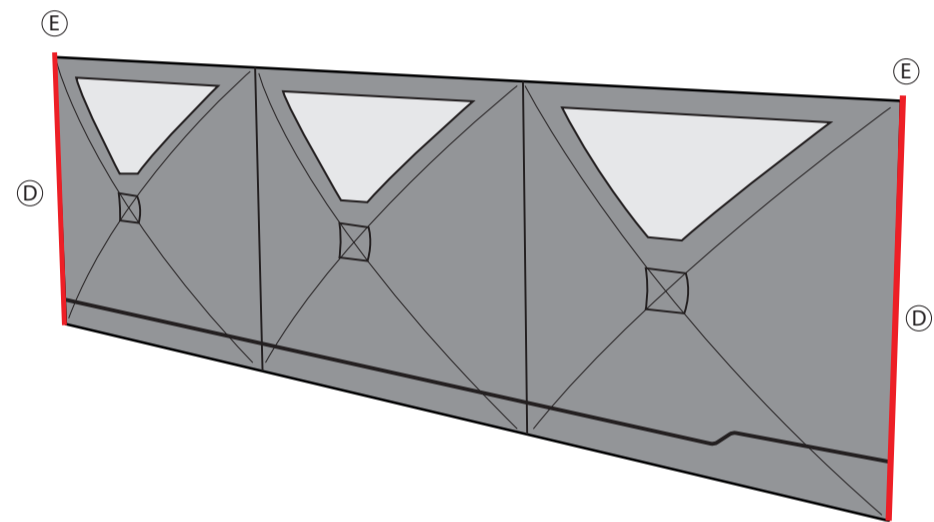
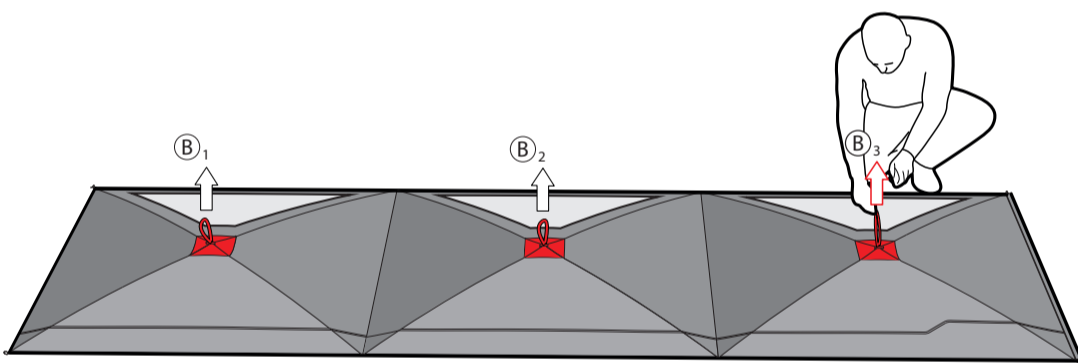
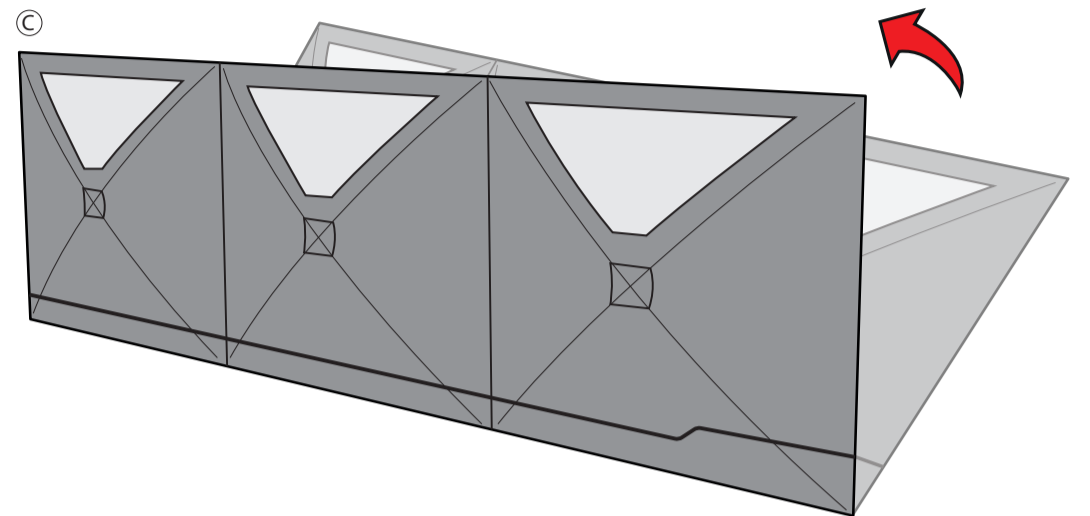
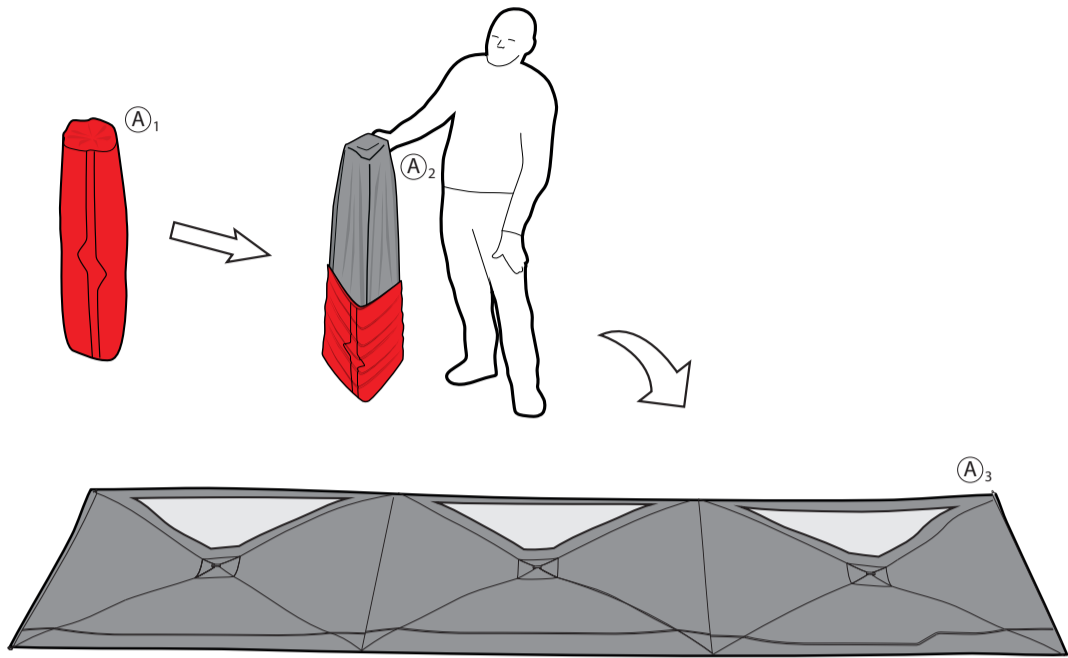


PITCHING



FIND OUT!
See our videos
HOW TO PITCH YOUR TENT?
www.youtube.com/user/Outwelltents
HOW TO CLEAN AND MAINTAIN YOUR TENT?
www.outwell.com/maintenance

FINDEN SIE ES HERAUS!
Finden Sie es in unseren videos
WIE BAUE ICH MEIN ZELT AUF?
www.youtube.com/user/Outwelltents
WIE REINIGE UND PFLEGE ICH MEIN ZELT?
www.outwell.com/maintenance

SÅDAN GØR DU!
Se vores videoer
SÅDAN SÆTTER DU DIT TELT OP!
www.youtube.com/user/Outwelltents
SÅDAN RENGØRER OG VEDLIGEHOLDER DU DIT TELT!
www.outwell.com/maintenance

FINN UT MER!
Se videoene våre
HVORDAN SETTER DU OPP TELTET DITT?
www.youtube.com/user/Outwelltents
HVORDAN RENGJØR OG VEDLIKEHOLDER DU TELTET?
www.outwell.com/maintenance

DÉCOUVREZ!
Regardez nos vidéos
COMMENT MONTER VOTRE TENTE?
www.youtube.com/user/Outwelltents
COMMENT NETTOYER ET ENTREtenir VOTRE TENTE?
www.outwell.com/maintenance

ONTDEK HET HIER!
Bekijk onze video's
HOE ZET U UW TENT OP?
www.youtube.com/user/Outwelltents
HOE REINIGT EN ONDERHOUDT U UW TENT?
www.outwell.com/maintenance

NEPŘEHLÉDNĚTE!
Podívejte se na naše videa
JAK POSTAVIT STAN?
www.youtube.com/user/Outwelltents
JAK ČISTIT A STARAT SE O STAN?
www.outwell.com/maintenance

UK
Cleaning and maintenance tips
Congratulation on your new innovative Outwell® Tent designed and created to accompany you out into the great outdoors.

Be aware that (UV) ultraviolet rays will damage your tent if you expose it to direct sunlight for longer periods of time. Outtex® fabric used on Outwell® tents increases the lifetime of the tent.

Outwell Product are made for camping use which is normally 2-5 weeks usage a year. They are not designed for permanent usage and should only be used as camping products.

Camping near the sea or lake can further enhance the effect of UV radiation. The same applies to poles and metal parts.

Select the campsite and position the tent
Open the bag and as you take out the tent look at the way it has been packed. This will help you when you come to repack it.

When selecting your campsite, the ideal place would be an area as even and clean of rocks, branches and other sharp objects as possible.

Spread out the tent and place it with the door in the desired direction, avoid placing the tent directly under trees, and position it with the end into the wind direction, for best results in windy conditions. Get the most out of your camping trip by having a trial run, putting up and taking down your new tent in order to know it before you use it for the first time.

Under certain weather conditions, condensation can occur on the inside surfaces of your tent. To help prevent this you must remove wet clothes etc., increase ventilation or erect your tent on an Outwell® Footprint.

Condensation should not be confused with leakage.

The flysheet is made of waterproof material. To prevent water from seeping through the flysheet avoid touching the inside surface in rainy weather conditions.

When erecting your tent, do not secure it too tightly, otherwise it will not be able to adapt to varying wind and weather conditions.

If strong winds are expected, replace the normal tent pegs with storm pegs. Do not use guylines to pull out the tent pegs. For stony or hard ground stronger U-form pegs are recommended.

Insecticides must not be sprayed in or on the tent as they may damage the fabric and coating!

When taking down and packing the tent, it must be completely dry to avoid mildew/rotting. We recommend that after use all metal poles be lightly greased with a nonacidic oil.

Remove dirt from the tent with a soft sponge and pure water. Never wash the tent in a washing machine and never have it dry-cleaned. Store the tent in a dry place.

Even though we have used special waterproof thread for all seams, we recommend that you use a seam sealer or a waterproof spray at regular intervals for all seams around the zips and toggles, these seams are some of the weaker points on your tent as there can be a lot of tension around them.

Please note that the tape may come off after prolonged exposure to the sun. If this happens you can repair your tent by removing loose tape and use a seam sealer and waterproof spray to re-seal seams.

If a minor water leak is found from taping this can easily be re-sealed using a seam sealer – the leak can happen from single thread uncovered by tape a simple fold in the covering tape or similar by human made workflows. We recommend using Outwell Waterguard on regular intervals on the flysheet material to increase the life span.

If your tent has a mud valance never use it to adjust the tent or use the mud valance to pull the tent pegs out. The mud valance is one of the weaker points on the tent as it is only designed to keep wind and water out of the living and storage area.

Taking down your tent
When detachable take out the groundsheet and clean it if necessary with a sponge and water. Clean dirty floors the same way. (Allow it to dry before packing the tent).

If the inner tent is wet or dirty, take it out and clean it, the tent can be packed down with or without the inner tent inside.

Then start to unpeg the tent and the guylines. Gently remove the poles from the pins and then gently push the poles through the sleeves. Do not pull the poles through!

You are now ready to fold the tent. Try to fold it so you have all metal pins/rings at one side (to prevent them from making holes in the flysheet).

When you have folded the tent, measure it with the carrybag to make sure it is not too wide. You should now be able to roll the tent round the poles in their pole bag and fit it into the Outwell carrybag.

For more info on tips and maintenance please visit outwell.com

Best regards,
THE OUTWELL TEAM

DE

DK

FR

GR

IT

NL

NO

PL

PT

RU

SE

UK

US

VE

VI

WV

WY

WY

WY

WY

WY

WY

WY

WY

WY

WY

WY

WY

WY

WY

WY

WY

WY

WY

WY

WY

WY

WY

WY

WY

WY

WY

WY

WY

WY

WY

WY

WY

WY

WY

WY

WY

WY

WY

WY

WY

WY

WY

WY

WY

WY

WY

WY

WY

WY

WY

WY

WY

WY

WY

WY

WY

WY

WY

WY

WY

WY

WY

WY

WY

WY

WY

DK

FR

GR

IT

NL

NO

PL

PT

RU

SE

UK

US

VE

VI

WV

WY

WY

WY

WY

WY

WY

WY

WY

WY

WY

WY

WY

WY

WY

WY

WY

WY

WY

WY

WY

WY

WY

WY

WY

WY

WY

WY

WY

WY

WY

WY

WY

WY

WY

WY

WY

WY

WY

WY

WY

WY

WY

WY

WY

WY

WY

WY

WY

WY

WY

WY

WY

WY

WY

WY

WY

WY

WY

WY

WY

WY

WY

WY

WY

WY

WY

WY

NO

PL

PT

RU

SE

UK

US

VE

VI

WV

WY

WY

WY

WY

WY

WY

WY

WY

WY

WY

WY

WY

WY

WY

WY

WY

WY

WY

WY

WY

WY

WY

WY

WY

WY

WY

WY

WY

WY

WY

WY

WY

WY

WY

WY

WY

WY

WY

WY

WY

WY

WY

WY

WY

WY

WY

WY

WY

WY

WY

WY

WY

WY

WY

WY

WY

WY

WY

WY

WY

WY

WY

WY

WY

WY

WY

WY

WY

WY

WY